

450 □ TT 0Z 02

- 06
 - 07
 - 08
 - 09
 - 10
 - 11
 - 12
 - 13
 - 14
 - 15
 - 16
- H_{cm}

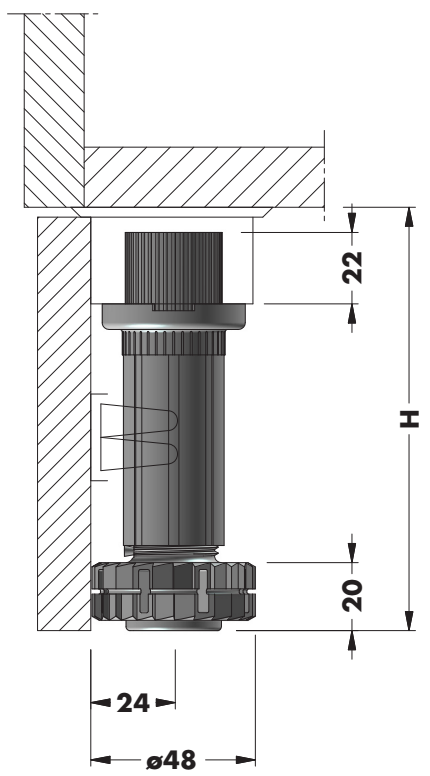
New



H _{cm} 06=	+20mm 0mm	H _{cm} 07=	+20mm -5mm		
			Ø28mm	ABS	

800 H_{cm} 08-10-12-15

1600 H_{cm} 06-07-09-11-13-14-16



2			840		181-219			
9		202	203	204	225	228	230	235
		H 11-16	H 09-16	H 11-16	H 09-16	H 09-16	612-613	614
9		226 00 N2 00 00			607			
		H 09-16						
		226 00 24 AL P2			608			
		226 15 24 AL P2			609			
		H 08-16						
		226 10 24 AL P2			608			
		226 13 N2 00 00			609			
		H 08-16						
9		809 TT 48 20 M1						