

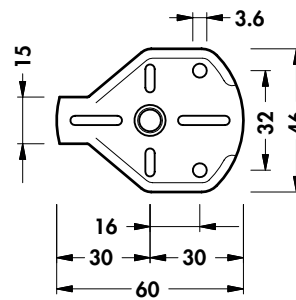
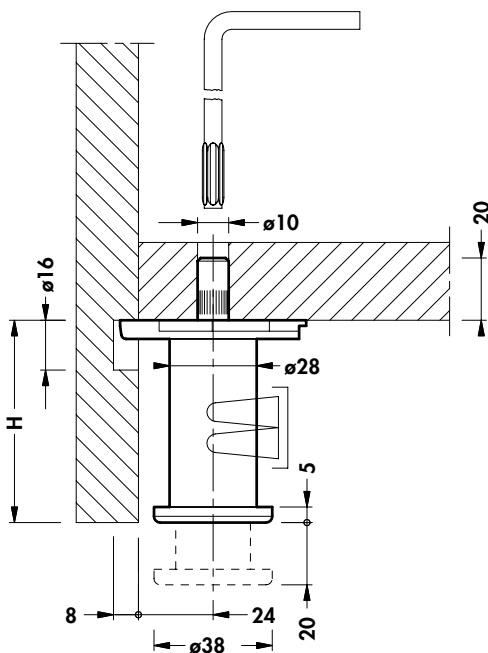
308 □ Z2 P0 02

04 ★
05
06
07
08
09
10
H_{cm}



| | | | |
|--------------|-----|----|------------|
| +20mm 0mm | 6 | | 400 Kg |
| | ABS | Fe | ZAMAK |

100 4800
★ 200



| | | | |
|---|--|-----------------------------|---------------------------------|
| 9 | | | 809 638-641 |
| 9 | | 202 600 H 7-10 | 203 601 H 5-10 |
| | | 204 602 H 7-10 | |
| | | 225 606 | 226 697-609 H 5-10 |
| | | | 228 611 H 5-10 |