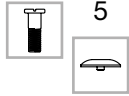


323 □ Z1 R □ □ 2

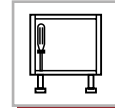
06
07
08
09
10
11
12
13
14
15
16
17
18
19
20

H_{cm}

0 0
1 1
2 2
3 4
4 5



+15mm
0mm

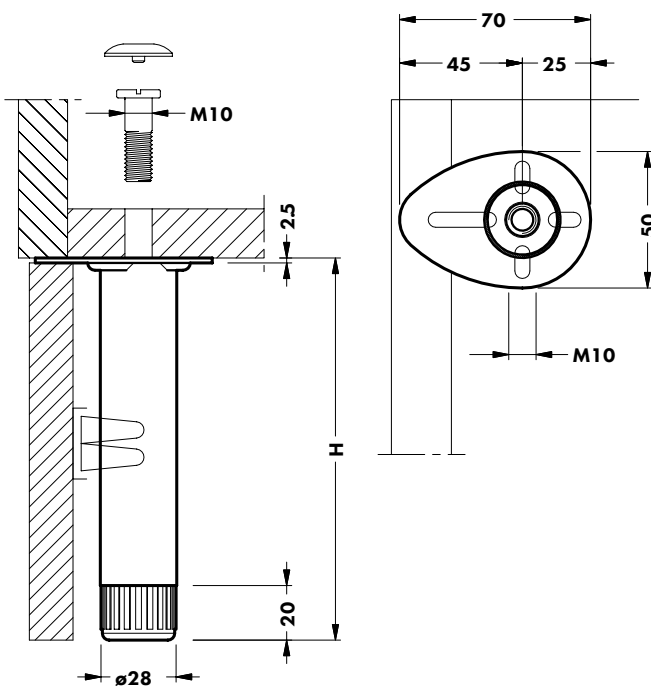


Ø28mm



ABS

Fe



9		1	868 00 Z1 S1 00		666
		2	868 00 Z1 S2 00		666
		3	868 00 Z1 S3 00		667
9		1	810 37 01 00 00		656
		2	810 37 02 00 00		656
		4	810 37 04 00 00		656
		5	810 37 55 00 00		656
		9		202	600
203	601				
204	602	H 9-20			
225	606				
226	607-609				
228	611				
230	612-613				
235	614				