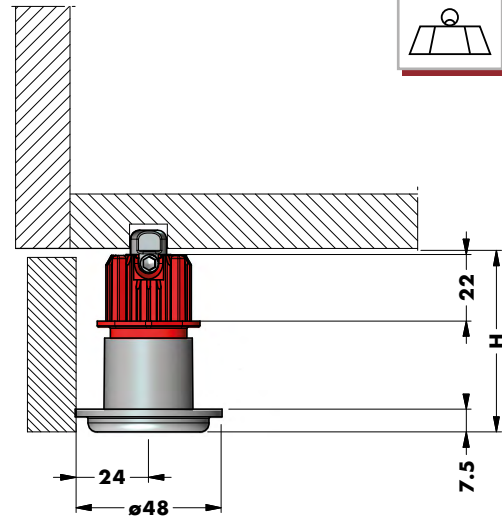


# 437 □ P4 00 40 F0

06  
07  
08  
10  
H<sub>cm</sub>

## REAR ART. 437



## FRONT ART. 440

