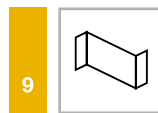
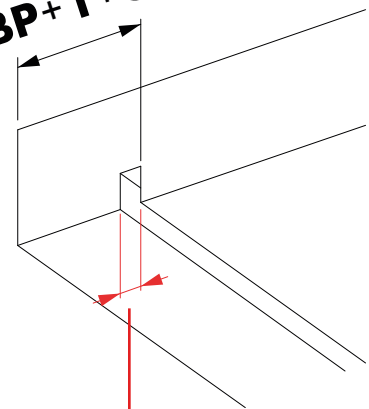


BP+T+S



801 00 □ 00 □ **max. 9 + S**