

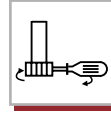
# 443 □ P2 1Z 02

- 08
- 09
- 10
- 11
- 12
- 13
- 14
- 15
- 16

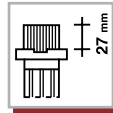
H<sub>cm</sub>



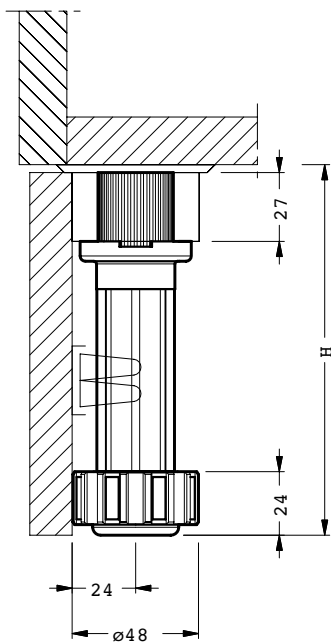
+15mm  
0mm



Ø28mm



ABS



2			<b>840</b> 
---	--	--	----------------

9		<b>202</b> 	<b>203</b> 	<b>204</b> 	<b>225</b> 
		H 11-16	H 9-16	H 11-16	H 9-16
		<b>226</b> 	<b>228</b> 	<b>230</b> 	<b>235</b> 
		H 9-16	H 9-16		