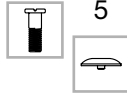


# 425 □ P2 S □ □ 2

10  
11  
12  
13  
14  
15  
16

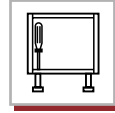
0 0  
1 1  
2 2  
3 4  
4 5



H<sub>cm</sub>



+50mm  
0mm

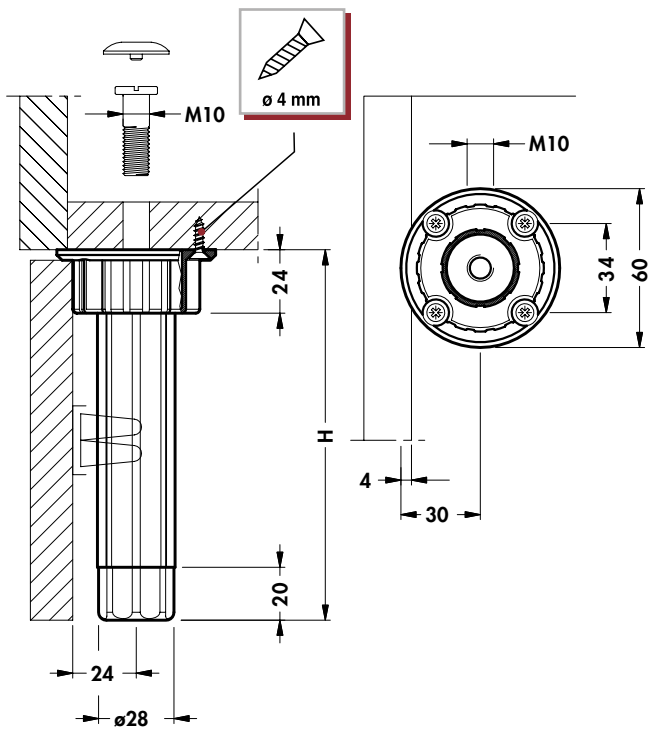


Ø28mm



ABS

3000



9		1	868 00 Z1 S1 00		666
		2	868 00 Z1 S2 00		666
		3	868 00 Z1 S3 00		667

9		1	810 37 01 00 00		656
		2	810 37 02 00 00		656
		4	810 37 04 00 00		656
		5	810 37 55 00 00		656

9		<b>202</b>	<b>203</b>	<b>204</b>	<b>225</b>
		600	601	602	606
		<b>226</b>	<b>228</b>	<b>230</b>	<b>235</b>
		607-609	611	612-613	614