

# 455 □ P2 0Z 02

05 = 5,0  
 A5 = 5,5  
 06 = 6,0  
 A6 = 6,5  
 07 = 7,0  
 A7 = 7,5  
 08 = 8,0  
**H<sub>cm</sub>**

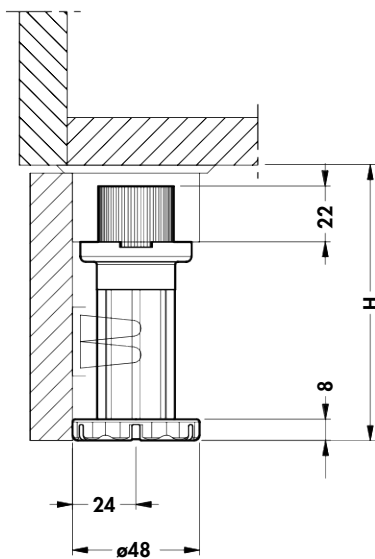
2



+20mm 0mm			Ø28mm
--------------	--	--	-------

	ABS
--	-----

800



2			<b>840</b> 143-179	<del>840 00 P2 N0 00</del>
				<del>840 00 P2 Q8 00</del>
<del>840 00 P2 W3 00</del>				
H 5-6,5				

2			<b>840</b> 143-179
			H 7-8

9		<b>203</b> 505	<b>225</b> 508	<b>226</b> 509-510	<b>228</b> 512
		H 7,5-8	H 6-8	H 7,5-8	H 7,5-8

<b>230</b> 513-514	<b>235</b> 515
-----------------------	-------------------